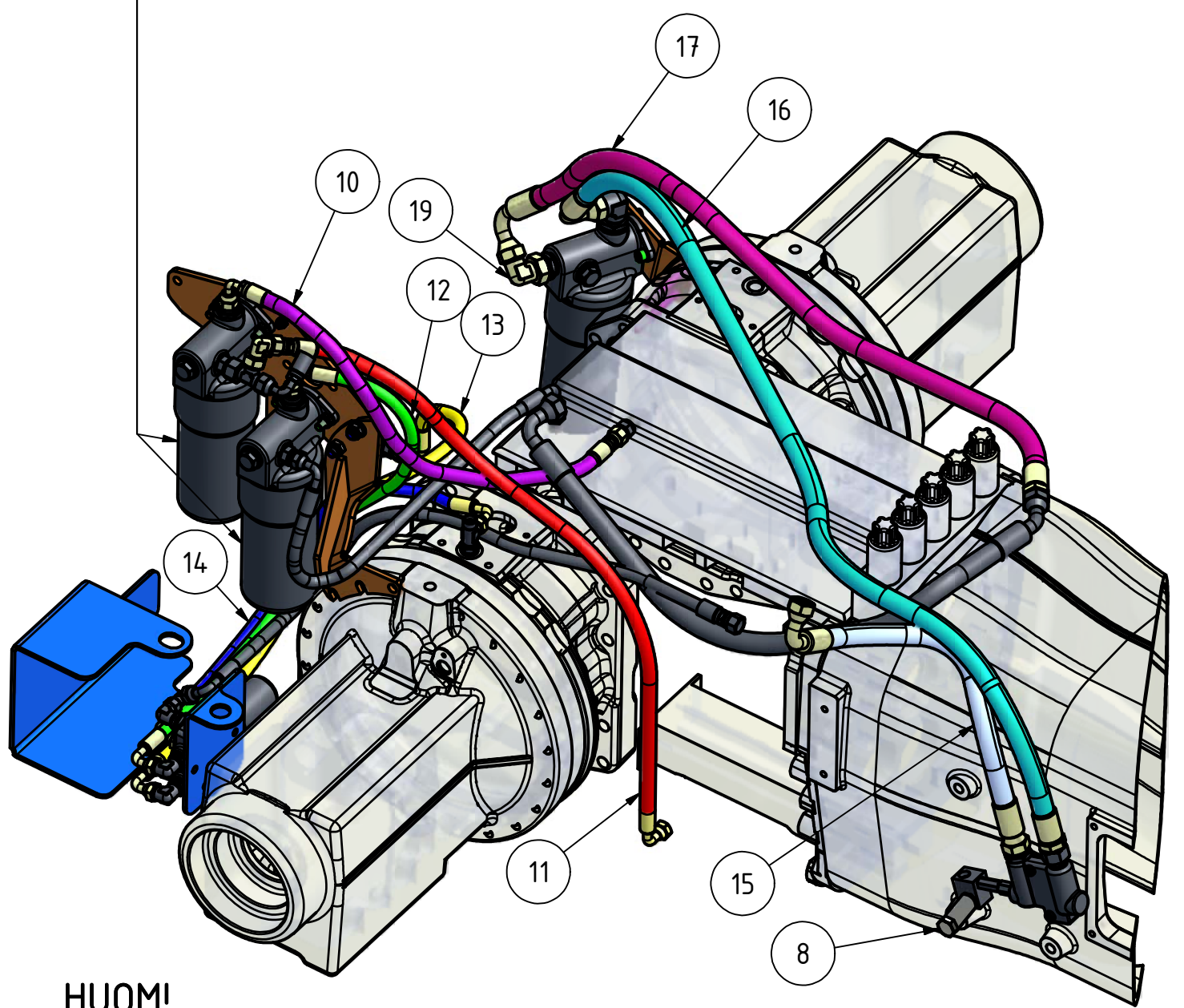


Tämä suodatin on siirretty akkukotelon vierestä
This filter has been moved from the side of battery case

Suodattimien järjestys vaihtuu alkuperäisestä
Filters order change from the original



ITEM	QTY	PART NUMBER	DESCRIPTION
19	1	Angle nippe 90-Deg JIC-12	Male/Female thread
18	1	Angle nippe 90-Deg JIC-10	Male/Female thread
17	1	06088009	Hose 3/4" L=1100mm
16	1	06088008	Hose 3/4" L=1550mm
15	1	06088007	Hose 3/4" L=550mm
14	1	06088006/3	Hose 3/8" L=840mm
13	1	06088006/2	Hose 3/8" L=840mm
12	1	06088006/1	Hose 3/8" L=840mm
11	1	06071-08	Hose 1/2" L=955mm
10	1	06071-07	Hose 1/2" L=855mm
9	2	DIN 931-1 - M12 x 100	Hex-Head Bolt 10.9
8	1	DIN 933 - M16 x 30	Hex-Head Bolt
7	2	DIN 985 - M12	Hex Nut
6	1	DIN 125 - A 13	Washer
5	5	DIN 912 - M10 x 40	Cylinder Head Cap Screw
4	2	DIN 933 - M12 x 35	Hex-Head Bolt
3	2	DIN 985 - M8	Hex Nut
2	2	DIN 933 - M8 x 25	Hex-Head Bolt
1	6	DIN 985 - M10	Hex Nut

HUOM!
Kaikki harmaat osat ovat Valtra alkuperäisosa
NOTE!
All the gray parts are Valtra original parts

JAKE				www.jake.fi	
				Hydraulic filters and brake- and priority valve	
				Valtra N91-N141 HiTech	
				1	
				A3	
State	Changes	Date	Name		